

FRONTNICHE

12G - 6G - 3G

The SFP12FT2 12G-SDI Optical SFP module is a dual channel FP type 1310nm transmitter



Features:

- Support 2-channel transmission of SMPTE 2082/2081, SMPTE 424M, SMPTE 292M, SMPTE 259M, DVB-ASI
- Handles Pathological Patterns for: 12G-SDI, 6G-SDI, 3G-SDI, HD-SDI and SD-SDI video formats.
- 12Gbps transmission for 10km over single mode fiber.
- Integrated re-clocker for optimum performance.
- Laser Disable Pin
- Single 3.3V Power Supply
- Non-MSA Pinout
- LC connectors.
- Hot-pluggable.

The SFP12FT2, 12G-SDI Optical SFP module is a dual channel FP type 1310nm transmitter, capable of transmitting two optical SDI signals up to 11.88Gbps.

The module is designed to support 12G-SDI as defined in ST2082 and 6G-SDI as defined in ST2081. The module is also compliant to 3G-SDI, HD-SDI and SD-SDI video standards.

The SFP12FT2 12G-SDI Optical SFP module contains a high performance re-clocker to ensure that the SDI signal transmission performs with optimum quality for high performance applications.

The SFP12FT2 12G-SDI Optical SFP module is a hot-pluggable device that allows easy upgrade and maintenance in the field. The module is fully interchangeable with other non-MSA SFP devices.

Frontniche Ltd, Circuit Bureau Building, Unit 5 Factory Lane, Beeston, Nottingham, NG9 4AA.
Tel: +44 (0)1949851486 Fax: +44(0)709262114 EM:
sales@frontniche.com Web: www.frontniche.com

Specifications are subject to change without prior notice. E&OE.

The SFP12FT2 12G-SDI Optical SFP module is a dual channel FP type 1310nm transmitter

OPTICAL PERFORMANCE SPECIFICATIONS

Parameter	Min	Typ	Max
Optical Power (dBm)	-5	-	0.5
Wavelength (nm)	1260	1310	1360
Linear Extinction Ratio	3.5	-	-

ELECTRICAL SPECIFICATIONS

Parameter	Min	Typ	Max
Operating case temperature range (°C)	0	-	70
Storage temperature range (°C)	-40	-	85
Power supply voltage (V)	3.1	3.3	3.5
Power consumption (mA)	-	250	300

PIN DESCRIPTION

20	Tx1 Disable	1	Vee
19	TD1-	2	NC
18	TD1+	3	NC
17	Vee	4	Vee
16	VccT1	5	I ² C CLK
15	VccT2	6	I ² C DATA
14	Vee	7	Vee
13	NC	8	TD2+
12	NC	9	TD2-
11	Vee	10	Tx2 Disable

FRONTNICHE

12G - 6G - 3G

The SFP12FT2 12G-SDI Optical SFP module is a dual channel FP type 1310nm transmitter

Pin No.	Name	Function	Notes
1	Vee	Transmitter Ground	
2	NC	Non-connection	
3	NC	Non-connection	
4	Vee	Transmitter Ground	
5	I ² C CLK	Clock Line of Two Wire Serial Interface for Serial ID	I ² C clock is a digital input signal. It should be pulled up with a 4.7K – 10KΩ resistor on the host board. The pull-up voltage shall be VccT.
6	I ² C DATA	Data Line of Two Wire Serial Interface for Serial ID	I ² C Data is a bi-directional digital signal. It should be pulled up with a 4.7K – 10KΩ resistor on the host board. The pull-up voltage shall be VccT.
7	Vee	Transmitter Ground	
8	TD2+	Transmit Data In	Positive differential transmitter inputs (AC-coupled internally)
9	TD2-	Inv. Transmit Data In	Negative differential transmitter inputs (AC-coupled internally)
10	TX2 Disable	Transmitter 2 Disable	TX Disable is an input that is used to shut down the transmitter optical output. It is pulled up within the module with a 4.7K – 10KΩ resistor. Its states are: Low (0 - 0.8V): Transmitter on (>0.8, <2.0V): Undefined High (2.0- 3.465V): Transmitter Disable Open: Transmitter Disable
11	Vee	Transmitter Ground	
12	NC	Non-connection	
13	NC	Non-connection	
14	Vee	Transmitter Ground	
15	VccT2	Transmitter 1 Power	3.3V± 5%
16	VccT1	Transmitter 1 Power	3.3V± 5%
17	Vee	Transmitter Ground	
18	TD1+	Transmit Data In	Positive differential transmitter inputs (AC-coupled internally)
19	TD1-	Inv. Transmit Data In	Negative differential transmitter inputs (AC-coupled internally)
20	TX1 Disable	Transmitter 1 Disable	TX Disable is an input that is used to shut down the transmitter optical output. It is pulled up within the module with a 4.7K – 10KΩ resistor. Its states are: Low (0 - 0.8V): Transmitter on (>0.8, <2.0V): Undefined High (2.0- 3.465V): Transmitter Disable Open: Transmitter Disable

Frontniche Ltd, Circuit Bureau Building, Unit 5 Factory Lane, Beeston, Nottingham, NG9 4AA.

Tel: +44 (0)1949851486 Fax: +44(0)709262114 EM:

sales@frontniche.com Web: www.frontniche.com

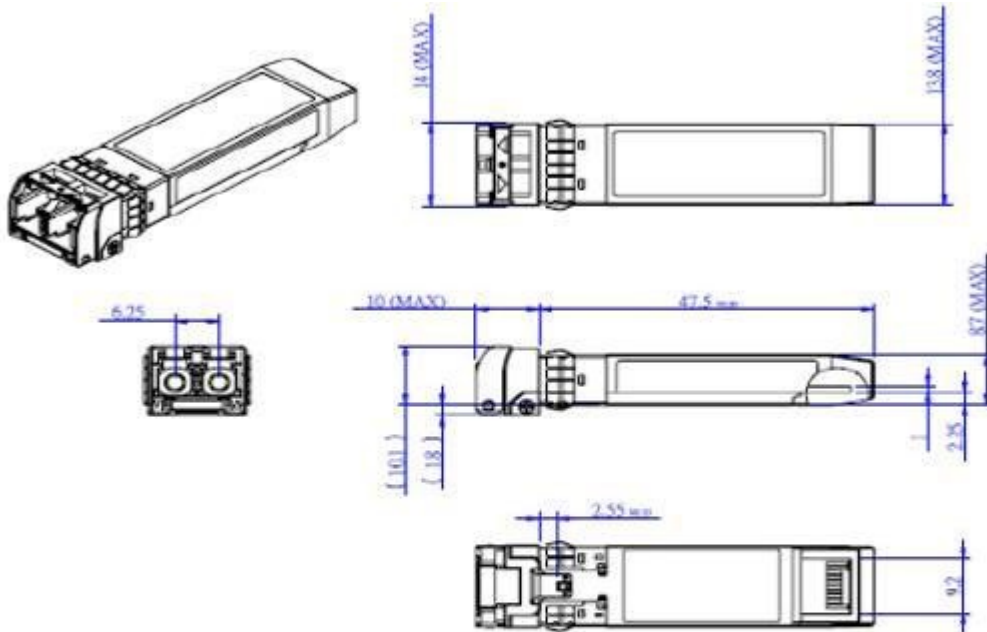
Specifications are subject to change without prior notice. E&OE.

FRONTNICHE

12G - 6G - 3G

The SFP12FT2 12G-SDI Optical SFP module is a dual channel FP type 1310nm transmitter

Dimensions mm



UNSPECIFIED TOLERANCE : ± 0.2 mm

Frontniche Ltd, Circuit Bureau Building, Unit 5 Factory Lane, Beeston, Nottingham, NG9 4AA.
Tel: +44 (0)1949851486 Fax: +44(0)709262114 EM:
sales@frontniche.com Web: www.frontniche.com

Specifications are subject to change without prior notice. E&OE.